

A3 Black & White Photocopier

BP-30M31

Office MFP with enhanced security that keeps pace with changing workforce needs



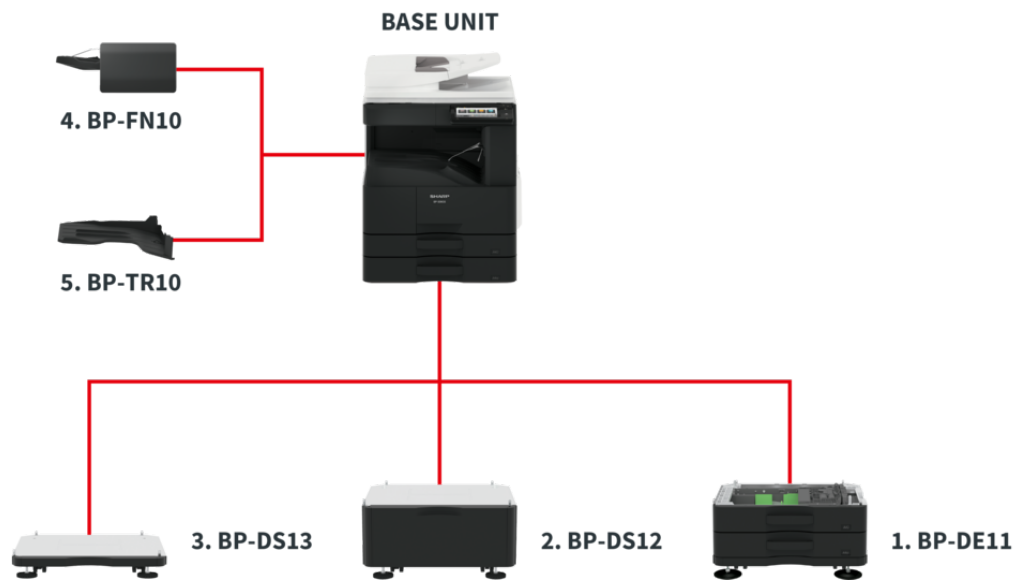
- 7.0-inch colour LCD touchscreen with Easy UI mode provides easy, intuitive operation
- Direct print Microsoft® Office files from USB drives*² (option)
- Store documents ready for printout from any compatible networked MFP using Print Release*³
- Sends scanned data via Gmail™ or Microsoft Exchange/Online*⁴ accounts
- Support for a secondary LAN (option) provides simultaneous support for two networks, including a combination of wireless and wired networks
- Sharp Application Portal for downloading of firmware and updating of connectors
- Support for mobile printing solutions including AirPrint (option) NFC*¹ (option) and QR Code enabling easy direct connection between MFP and mobile device
- OCR allows users to convert scanned documents into editable Microsoft® Office files and searchable PDFs (option)
- Easy access to public cloud services via single sign-on (option)
- For large-volume scanned data, a URL can be generated and shared via email
- Advanced system/data protection and access control, including SSL validation, firmware self-recovery and whitelisting*⁵
- Space-saving inner finisher (option) automates document sorting and stapling

*¹ The NFC interface is for Android™ devices running Android 9 or earlier. Requires third-party NFC card reader. *² This function is enabled via Qualcomm® DirectOffice™ technology. *³ Can be used from any of five network-connected MFPs. *⁴ Exchange Server 2010/2013/2016, Exchange Online *⁵ Certain functions require optional equipment.

www.sharp.eu

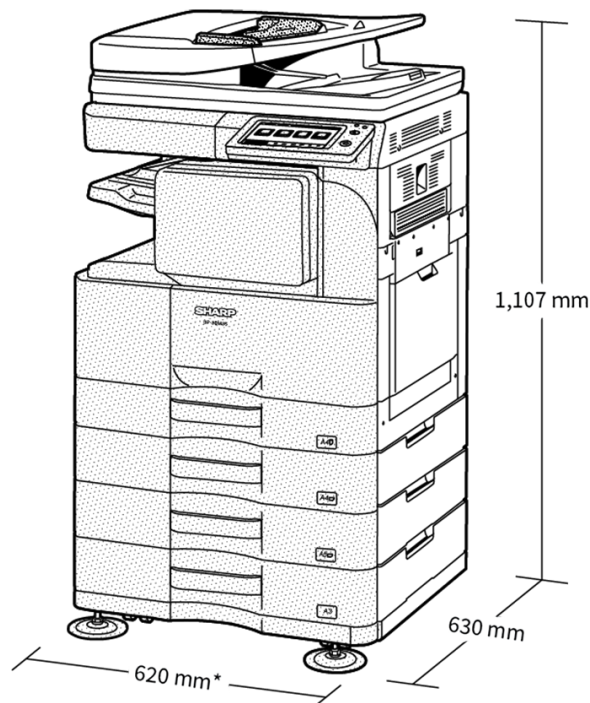
SHARP
Be Original.

Configurations



Configurations may differ per sales region. Please contact your local Sharp representative for further information.

Dimensions



*Including adjuster.

1,081 mm when finisher tray and multi bypass tray are extended.

Shown with optional equipment.

Dimensions are shown with optional equipment. Options may differ per region.

Options

Base Unit

1. BP-DE11 Stand with 2 x 500-Sheet Paper Drawers

500 sheets* each for lower and upper trays, A3W – A5R (60 – 220 g/m2)

2. BP-DS12 High Stand

3. BP-DS13 Low Stand

* Number of sheets based on 80 g/m2.

Note: If you install the MFP on the floor, Sharp recommends setting it up on a stand (BP-DS13, BP-DS12, or BP-DE11).

Printing

MX-PK13 PS3 Expansion Kit

Adobe PostScript®3TM expansion kit

MX-PF10 Barcode Font Kit

Enables barcode printing

MX-PU10 Direct Print Expansion Kit

Direct print Microsoft® Office files from USB drives

Faxing

MX-FX15 Fax Expansion Kit

MX-FWX1 Internet Fax Expansion Kit

Scanning

MX-EB19 Enhanced Compression Kit

Enables creation of high compression PDFs

MX-EB20 OCR Expansion Kit

Convert scanned documents into editable Microsoft® Office files and searchable PDFs via Optical Character Recognition (OCR)

Security

BP-FR11U Data Security Kit

Commercial version

Finishing

4. BP-FN10 Finisher TBC

Paper size:

- Offset: A3 - A5 (A5: long-edge feeding)
- Non-Offset: A3 -A6 (A6: short-edge feeding)
- Staple: A3 - B5

Paper capacity:

- Offset/Non-Offset/Staple: max. 500-sheets* (A4 or smaller)
- Offset/Non-Offset/Staple: max. 250-sheets* (B4 or larger)

Stapling capacity:

- max. 50-sheets (A4, B5)
- max. 30-sheets (A3, B4)

Staple position: 1 location at rear (slant)

5. BP-TR10 Job Separator

Enables copy/print and fax jobs to be separated using upper and main output trays

* Number of sheets based on 80 g/m2.

Storage

BP-SD10 High Capacity SSD

512GB SSD storage

Connectivity

MX-EB18 Wireless LAN Adaptor

Enables connection to wireless networks

Sharp OSA®

MX-AMX1 Application Integration Module

MX-AMX2 Application Communication Module

MX-AMX3 External Account Module

Specifications

GENERAL

Engine speed B/W ppm (A4)	31
Engine speed B/W ppm (A3)	17
Paper size: Min.-Max.	A6R - A3
Paper weight (g/m2)	55 - 200
Paper capacity:Std (sheets)	1100
Paper capacity: Max. (sheets)	2100
Warm Up Time (sec.)	19
Memory general min/max (GB)	4
SSD	STD / OPT
SSD Capacity (GB)	128 / 512
Duplex	STD
Power requirements - rated local AC voltage (Hz)	220 - 240V, 50 / 60Hz
Power consumption (kW)	1,45
Dimensions (mm)	620 x 614 x 830
Weight (kg)	49

DOCUMENT FEEDER

Original capacity (sheets)	100
----------------------------	-----

DOCUMENT FILING

Document filing (Standard / Option)	STD
Document filing capacity- main and custom folders (pages)	5000
Document filing capacity- quick file folder (pages)	5000
Stored jobs	Copy, print, scan, fax transmission
Storage folders	Quick file folder, main folder, custom folder (max. 1000)
Confidential storage	.

FAX

Fax (Standard / Option)	OPT
Compression method	MH / MR / MMR / JBIG
Communication protocol	Super G3
Transmission time (sec)	2
Modem Speed (bps)	33.600 - 2.400
Transmission resolution	203,2 x 97,8, 406,4 x 391
Document Size (Min)	A5
Document Size (Max)	A3
Memory (GB)	1
Grey Scale levels	256
Dial Registration; rapid/speed dial	2000
Broadcast Transmission (max. destinations)	500

WIRELESS LAN

Wireless LAN (Standard / Option)	OPT
Compliant regulation	IEEE 802.11 b / g / n
Access mode	Infrastructure mode, Software AP mode
Security	WEP, WPA / WPA2-mixed PSK, WPA / WPA2-mixed EAP, WPA2 PSK, WPA2 EAP

COPIER

Original paper size (Max.)	A3
First copy out time B/W (sec.)	4,3
E-sort Std	.
Continuous copy (Max. copies)	9999
Resolution Scan B/W (dpi)	600 x 600
Resolution Scan Colour (dpi)	600 x 600
Resolution Print (dpi)	600 x 600
Gradation (equivalent levels) - B/W	2
Gradation (equivalent levels) - Colour	256
Zoom range (%)	25 - 400
Preset copy ratios	10

SCANNER

Network Scanner (Standard / Option)	STD
Scan method Push scan and Pull scan	.
Resolution push scan (dpi)	100, 150, 200, 300, 400, 600
Resolution pull scan (dpi)	75, 100, 150, 200, 300, 400, 600, 50 - 9600
File formats	STD: TIFF, PDF, PDF / A-1b, encrypted PDF, JPEG, XPS. OPT: PDF / A-1a, compact PDF, searchable PDF, Microsoft Office (pptx, xlsx, docx), text (TXT), rich text (RTF).
Scan destinations Desktop	.
Scan destination FTP, Email	.
Scan destination Network folder	.
Scan destination USB memory	.

PRINTER

Resolution (dpi)	600 x 600, 1200 x 600
Network Printer (Standard / Option)	STD
Interface Std/Opt	STD: USB 2.0, 10Base-T / 100Base-TX / 1000Base-T. OPT: Secondary LAN support
Supported OS Standard	Windows 8.1, 10. Windows Server 2012, 2012R2, 2016, 2019.
Supported OS Options	Mac OS X 10.9, 10.10, 10.11, 10.12, 10.13, 10.14, 10.15, 11.0
Network protocols	TCP / IP (IPv4, IPv6)
Printing protocols	LPR, Raw TCP (port 9100), POP3 (e-mail printing), HTTP, FTP for downloading print files, IPP, SMB, WSD
PDL Std/Opt	STD: PCL 6. OPT: Genuine Adobe PostScript 3.
Available fonts	80 (PCL), 139 (Genuine Adobe PostScript 3)
FINISHING	
Output Capacity Max.	500
Staple Capacity (sheets) Max.	50
Off-set shifting	STD
TONER YIELD	
Black (pages at 6% coverage)	27500

Design and specifications are subject to change without prior notice. All information was correct at time of print. Microsoft, Excel, PowerPoint, OneDrive, SharePoint, Active Directory, Windows Server, and Windows are either registered trademarks or trademarks of Microsoft Corporation in the US and/or other countries. Adobe and PostScript 3 are either registered trademarks or trademarks of Adobe Systems Incorporated in the US and/or other countries. Google Drive, Gmail, Android, and Google Cloud Print are trademarks of Google LLC. The Google Drive trademark is used with permission from Google LLC. Box is a trademark, service mark, or registered trademark of Box, Inc. QR Code is a registered trademark of DENSO WAVE INCORPORATED in Japan and other countries. AirPrint and Mac are trademarks of Apple Inc., registered in the US and other countries. PCL is a registered trademark of Hewlett-Packard Company. Qualcomm DirectOffice is a product of Qualcomm Technologies, Inc. and/or its subsidiaries. Qualcomm is a trademark of Qualcomm Incorporated, registered in the US and other countries. DirectOffice is a trademark of CSR Imaging US, LP, registered in the US and other countries. All other company names, product names and logotypes are trademarks or registered trademarks of their respective owners. ©Sharp Corporation March 2021. Ref: BP-30M31 Datasheet. All trademarks acknowledged. E&O.